

## 10" Rewindable Submersible Motors



### Application

These rewindable motors are designed and manufactured for reliable operation in 10" or larger water wells. This product offers Franklin's superior reputation for design and reliability in a 'wet-wound' design.

### Basic Features

- High efficiency electrical designs for low operating costs
- Standard motors with PVC winding insulation
- Water lubricated thrust and radial bearings ensure maintenance-free operation
- All motors factory prefilled, ready for installation
- Pre-loaded diaphragm ensures pressure compensation
- Drinking water approved leads factory installed (European KTW standard)
- Mechanical shaft seals, Sand Fighter™ sealing system
- 100% factory tested
- Rating 10": 85 - 185 kW (115 - 250 hp)

### Options

- Retrofitable PT100 temperature sensors
- PE2/PA higher temperature windings
- 316 stainless steel construction
- 904L stainless steel construction

Consult factory for details.

# 10" Rewindable Submersible Motors

## 10-Inch Rewindable Motor Specifications

- 10" double flange top end
- Three-phase, 2 pole nominal speeds (50 Hz - 2875 RPM / 60 Hz - 3450 rpm)
- IP68 rated enclosure
- 85 - 185 kW: Max ambient 25°C (77 °F) with 0.5 m/s cooling flow
- PE2/PA windings for 45 °C (113 °F) max optional
- **Mounting position:** vertical - horizontal (185 kw may not be installed horizontally)
- Non-contaminating FES93 filling solution
- **Voltage tolerance:** +6 / -10 % from rated
- **Thrust rating:** 60000 N (~13500 lb)
- **Starts per hour max:** 10
- **Motor lead:** 6 meter length
- **Max storage temperatures:** -15 °C (5 °F) / +60 °C (140 °F)
- **Motor Protection:** User supplied thermal overloads, class 10 or 10A (trip time <10 sec at 5x locked rotor current)

## 10-Inch Rewindable Construction Materials

COMPONENT	CONSTRUCTION TYPE	
	WATER WELL	316 SS
Castings	Cast Iron powder coated	316SS
Stator Shell	304SS	316SS
Shaft Extension	329SS	329SS
Fasteners	316SS	316SS
Seal Cover	AISI5115	316SS
Seal	Sand Fighter™ Sealing System	Sand Fighter™ Sealing System
Diaphragm	NBR	NBR
Slinger	NBR	NBR
Lead wire	EPR	EPR

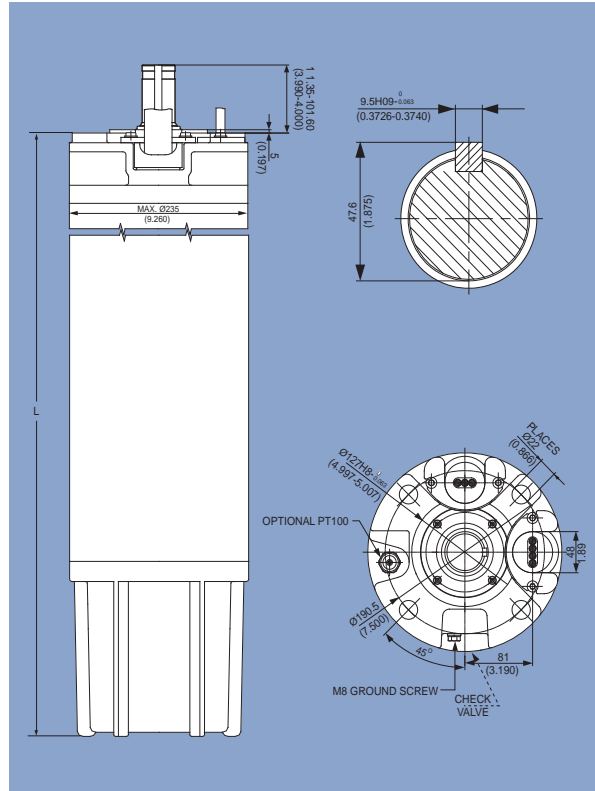
Specifications subject to change without notice. Contact Franklin Electric if current material types are required for bid specifications.

# 10" Rewindable Submersible Motors

## 10-Inch Rewindable Motor Dimensions and Weights

### Rewindable Motor

P (kW)	"L" (mm)	Packing Size (mm)	Shipping Weight (kg)
			incl. Pack
85	1419	350 x 540 x 2450	336
110	1529	350 x 540 x 2450	370
130	1659	350 x 540 x 2450	412
150	1769	350 x 540 x 2450	437
185	1919	350 x 540 x 2450	480



# 10" Rewindable Submersible Motors

## 10-Inch Models

HP (kW)	CONSTRUCTION	PH	VOLTS	HZ	SF	# LEADS	MODEL	DESCRIPTION
115 hp 85 kW	WATER WELL	3	380	60	1.15	3	264 661 5111	10RW-85-380-60-W
		3	380	60	1.15	6	264 761 5111	10RW-85-380-60-W-SD
		3	460/380-415	60/50	1.15/1.0	3	264 131 5111	10RW-85-380-50-W
		3	460/380-415	60/50	1.15/1.0	6	264 231 5111	10RW-85-380-50-SD-W
	316 SS	3	380	60	1.15	3	264 661 6111	10RW-85-380-60-S
		3	380	60	1.15	6	264 761 6111	10RW-85-380-60-S-SD
		3	460/380-415	60/50	1.15/1.0	3	264 131 6111	10RW-85-380-50-S
		3	460/380-415	60/50	1.15/1.0	6	264 231 6111	10RW-85-380-50-SD-S
150 hp 110 kW	WATER WELL	3	380	60	1.15	3	264 663 5111	10RW-110-380-60-W
		3	380	60	1.15	6	264 763 5111	10RW-110-380-60-W-SD
		3	460/380-415	60/50	1.15/1.0	3	264 133 5111	10RW-110-380-50-W
		3	460/380-415	60/50	1.15/1.0	6	264 233 5111	10RW-110-380-50-SD-W
	316 SS	3	380	60	1.15	3	264 663 6111	10RW-110-380-60-S
		3	380	60	1.15	6	264 763 6111	10RW-110-380-60-S-SD
		3	460/380-415	60/50	1.15/1.0	3	264 133 6111	10RW-110-380-50-S
		3	460/380-415	60/50	1.15/1.0	6	264 233 6111	10RW-110-380-50-SD-S
175 hp 130 kW	WATER WELL	3	380	60	1.15	3	264 664 5111	10RW-130-380-60-W
		3	380	60	1.15	6	264 764 5111	10RW-130-380-60-W-SD
		3	460/380-415	60/50	1.15/1.0	3	264 134 5111	10RW-130-380-50-W
		3	460/380-415	60/50	1.15/1.0	6	264 234 5111	10RW-130-380-50-SD-W
	316 SS	3	380	60	1.15	3	264 664 6111	10RW-130-380-60-S
		3	380	60	1.15	6	264 764 6111	10RW-130-380-60-S-SD
		3	460/380-415	60/50	1.15/1.0	3	264 134 6111	10RW-130-380-50-S
		3	460/380-415	60/50	1.15/1.0	6	264 234 6111	10RW-130-380-50-SD-S
200 hp 150 kW	WATER WELL	3	380	60	1.15	6	264 765 5111	10RW-150-380-60-W-SD
		3	460/380-415	60/50	1.15/1.0	6	264 235 5111	10RW-150-380-50-SD-W
	316 SS	3	380	60	1.15	6	264 765 6111	10RW-150-380-60-S-SD
		3	460/380-415	60/50	1.15/1.0	6	264 235 6111	10RW-150-380-50-SD-S
250 hp 185 kW	WATER WELL	3	380	60	1.15	6	264 766 5111	10RW-185-380-60-W-SD
		3	460/380-415	60/50	1.15/1.0	6	264 236 5111	10RW-185-380-50-SD-W
	316 SS	3	380	60	1.15	6	264 766 6111	10RW-185-380-60-S-SD
		3	460/380-415	60/50	1.15/1.0	6	264 236 6111	10RW-185-380-50-SD-S

Consult factory for ratings and executions not shown.